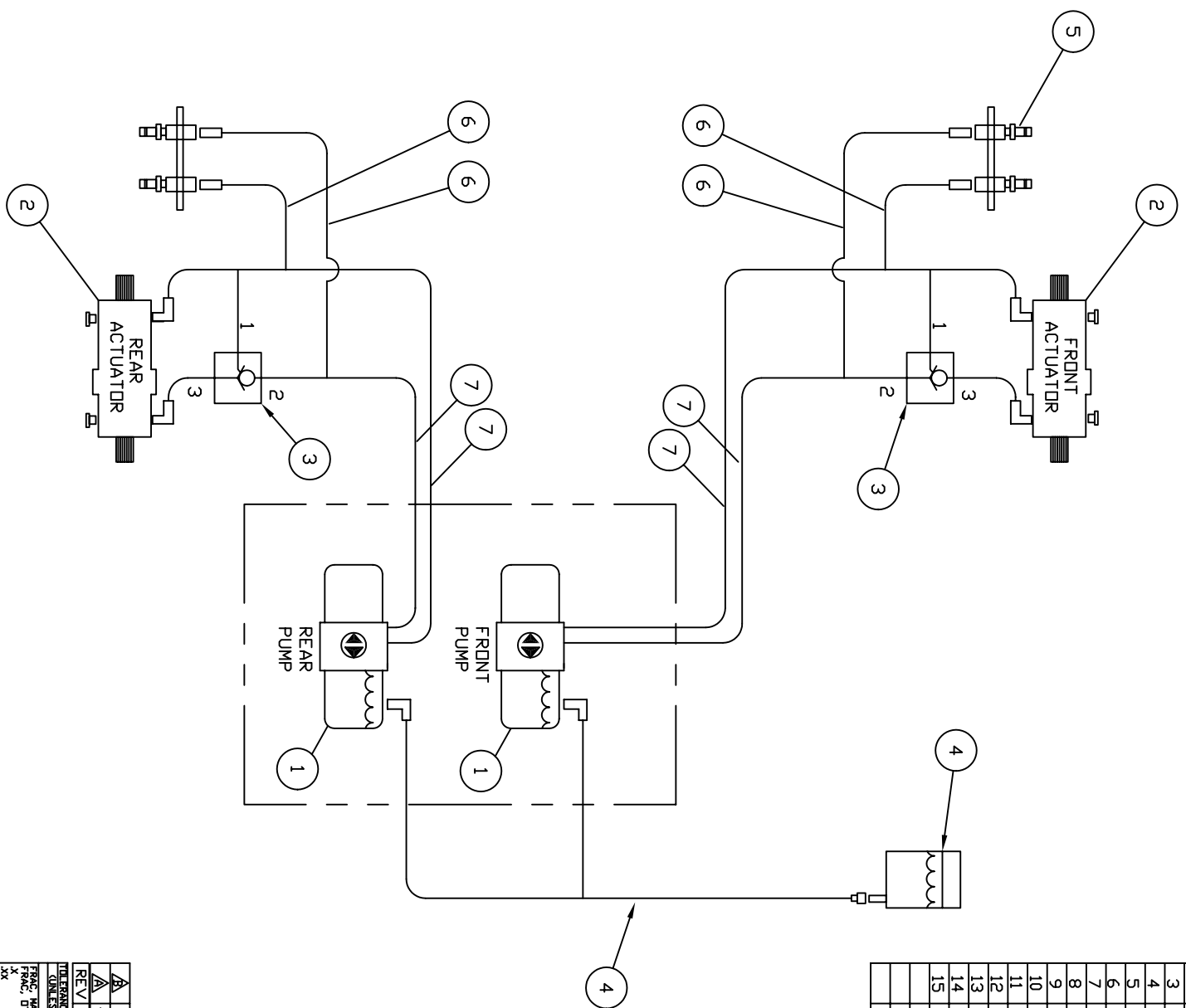


ITEM	PART NO.	QTY	DESCRIPTION
1	500706	2	PUMP, 108AM32-BL-1HT REFER TO PUMP ASSY
2	500710	2	ACTUATOR, HK10KSF180DA REFER TO CORE ASSY
3	500712	2	PARKER PILOT OPERATED CHECK
4	500733	1	RESERVOIR, HOSE & MOUNTING HARDWARE
5	500733	1	EMERGENCY PUMP FITTINGS
6	500743	4	HOSE ASSY, #4 FEM JIC X 1/4" X 3'-2"
7	500740	4	HOSE ASSY, #4 FEM JIC X 1/4" X 18'-0"
8	500745	1	PUMP, EMERG ASSY, HP61-DAS0 (NOT SHOWN)
9			
10			
11			
12			
13			
14			
15			



REV	DATE	DESCRIPTION	BY	APP
A				
B				

DRAWN BY: WAK		APPD BY:	
DATE: 02/03/02		DRAWING NUMBER: 501701	

TITLE: HYDRAULIC SCHEMATIC, 2-PUMP (2005)	
DESCRIPTION: DIVERSIFIED METAL FABRICATORS, INC. (404) 875-1512	

REVISIONS:	TOLERANCES:
FRAC. MACH. ± 1/32"	(UNLESS SPECIFIED)
FRAC. OTHER ± 1/16"	
X. ± .063	
XX. ± .030	
XXX. ± .015	
ANGULAR SIZES ± 1°	
FINISH: AS SHOWN	
TOLERANCES: ± .001	
DATE: 02/03/02	DRAWING NUMBER: 501701
DRAWN BY: WAK	APPD BY:
DATE: 02/03/02	DRAWING NUMBER: 501701