

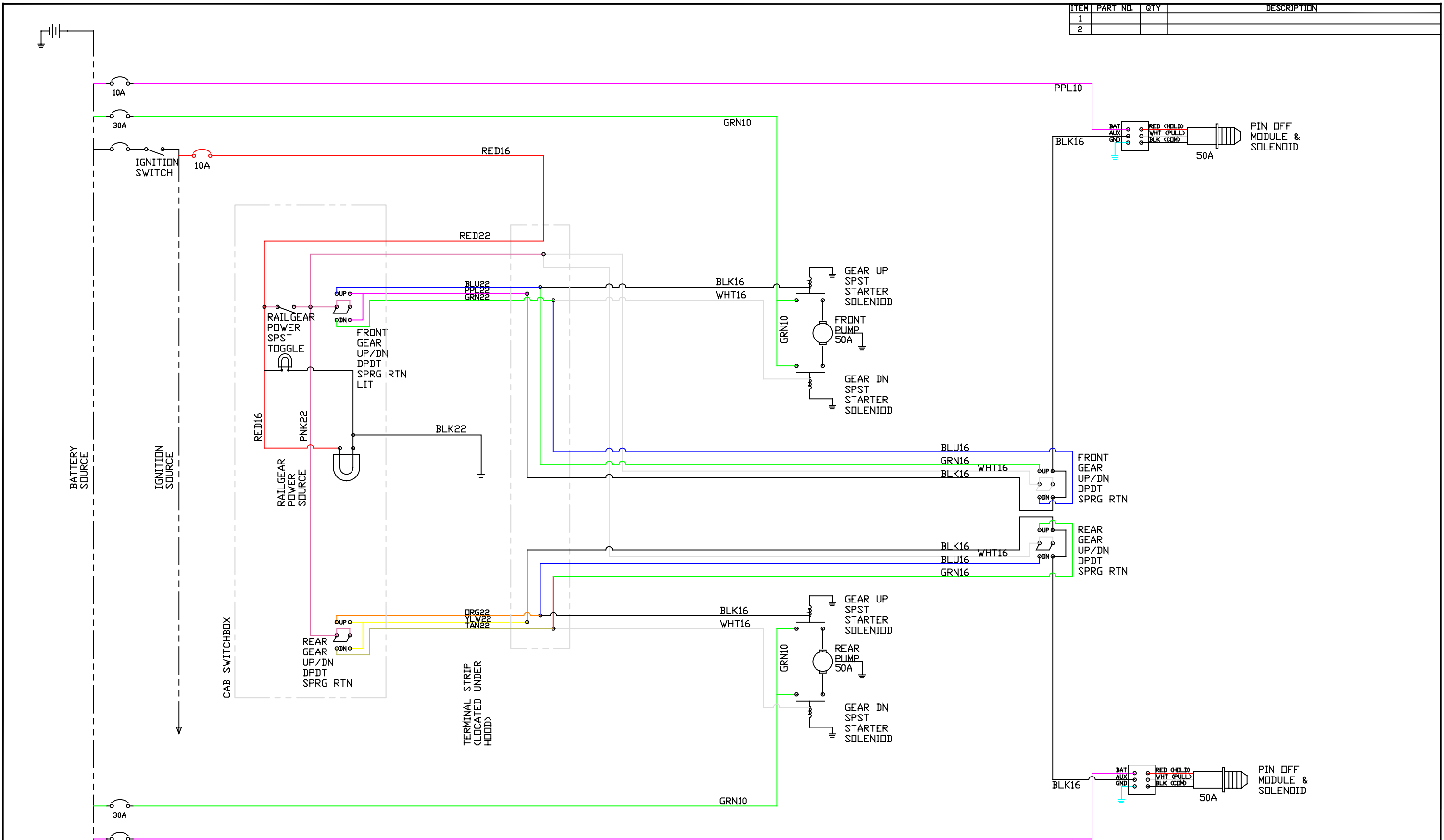
ITEM	PART NO.	QTY	DESCRIPTION	PURCHASED BY:
500798 WIRING PACKAGE ITEMS				
1	501101	1	TERMINAL STRIP 8X2 #10 SCREW TERMINALS	VENDOR
2	501102	1	WIRING ASSY, CIRCUIT BREAKERS, 1013	VENDOR
3	501103	2	WIRING ASSY, BUMPER SWITCH, 1013	VENDOR
4	501104	2	WIRING ASSY, SOLENOID SIGNAL, 1013	VENDOR
5	501115	2	WIRING ASSY, P/O SOLENOID MODULE, 1013	VENDOR
6	501106	2	WIRING ASSY, PIN-OFF POWER, 1013	VENDOR
7	501107	2	WIRING ASSY, PUMP POWER, 1013	VENDOR
9	501109	1	WIRING ASSY, BACKLIGHT GROUND, 1013	VENDOR
10	-	18	16GA #10 RING TERM	VENDOR
11	-	2	10GA 3/8 RING	VENDOR
12	-	5	10GA #10 RING TERM	VENDOR
13	-	1	FUSE TAP, MINI ATD	VENDOR
14	-	7	14-16GA BUTT CONN	VENDOR
20	-	2	SWITCH BOOT, CH-81255	VENDOR
ITEMS				
15	501110	2	ASSY, PUMP/SOLENOID, PREWIRED, 1013	DMF
16	500761	2	PIN-OFF MODULE, TROMBETTA S500 A61	DMF
17	500800	2	ASSY, PIN-OFF SOLENOID, 1013	DMF
18	500775	1	SWITCH BOX, IN CAB, TST	DMF
19	500793	1	CABLE, TST	DMF

NOTE:
FOR ELECTRICAL SCHEMATIC
SEE DWG# 500754B (PAGE # 12)

REV	DATE	DESCRIPTION	BY	APP
1	2/25/05	CHANGED 50A CB TO 30A FOR PUMP AND 10A FOR PD		
2	2/26/04	CORRECTED METRIPAK WIRING ORDER	WAK	
3	12/4/02	ADDED SWITCH BOOT TO ASSEMBLY	WAK	
4	10/29/02	REVISED WIRE LENGTHS FROM 16/20/20 TO 22/24/24 FT	WAK	
5	03/24/02	REVISED TO SHOW INFO ON NON-METRIPACK MODULES	WAK	
6	03/24/02	REVISED TO ACCOMMODATE A61 P/O MODULE	WAK	
7	12/19/01	GENERAL REVISION	WAK	
8	10/08/01	FOR BIDS	WAK	

TOLERANCES: UNLESS SPECIFIED COMMON SENSE PREVAILS		TITLE: RW-1013 ELECTRICAL LAYOUT DIAGRAM w/IN-CAB SWITCH BOX	
FRACTIONAL: 1/32"	DECIMAL: 1/16"	DIVERSIFIED METAL FABRICATORS, INC. (404) 875-1512	
FRACTIONAL: 1/16"	DECIMAL: 1/32"	DATE: 10/08/01	DRAWING NUMBER: 500754A
FRACTIONAL: 1/32"	DECIMAL: 1/64"	BY: WAK	REV: H
FRACTIONAL: 1/64"	DECIMAL: 1/128"	APPD BY: APPD	
ANGULAR: 1°			
SURF FINISH: 125 MICRO			
THREADS: 1/8" AND 3/16"			

ITEM	PART NO.	QTY	DESCRIPTION
1			
2			



NOTES:
FOR ELECTRICAL DIAGRAM & B.O.M.
SEE DWG# 500754A (PAGE # 11)

REV	DATE	DESCRIPTION	BY	APP
1	4/4/05	REPLACED 50A w/ 30A & 10A	WAK	
2	12/19/01	GENERAL REVISION	WAK	
3	10/01/01	FOR BIDS	WAK	

TOLERANCES UNLESS SPECIFIED		TITLE	
FRAC	MACH	RW-1013	RW-1013 ELECTRICAL SCHEMATIC
			W/IN-CAB SWITCH BOX
			DIVERSIFIED METAL FABRICATORS, INC. (404) 875-1512
DRWN BY:	APPD BY:	DATE:	DRAWING NUMBER:
WAK		10/01/01	500754B
			REV:
			C